

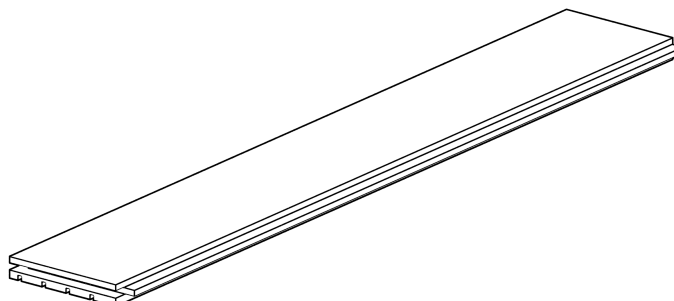
Technical Data

Solid parquet – Cherry

Solid parquet with tongue and groove made of European Cherry.

1. Technical construction (unsanded)

	Thickness 16 mm
Total thickness:	16,0 mm
Upper lip:	7,5 mm
Tongue and groove:	4,3 mm
Underlip:	4,2 mm



2. Product description

	Description
Wood species:	European Cherry - Prunus avium L. / PRAV
Profile:	4-sided tongue and groove
Edges:	Sharp-edged / 2-sided beveled / 4-sided beveled
Surface:	Raw / Sanded / UV-Lacquered / U-Oiled
Weight:	16 mm thickness: ca. 9,5 Kg/m ²
Density:	770 Kg/m ³
Reaction to fire:	C _{fl} -s1
Moisture:	9% ± 2%
Slipperiness:	UV-Oil = 72 USRV UV-Lacquer = 65 USVR
Thermal conductivity:	0,18 [W/(m*K)]
Biological durability:	Class 5
Installation:	Suitable for full-surface gluing with a suitable adhesive

3. Available dimensions

	Dimensions [mm]
Thickness	16 mm
Right-sided Herringbone (Right + Left) (length x width)	300 / 450 x 70 x 16 mm
4-sided bevelled (length x width)	290 / 440 x 70 x 16 mm
Chevron Französisch (45°) (length x width)	360 x 70 x 16 mm
Chevron Ungarisch (60°) (length x width)	390 x 70 x 16 mm

* Other dimensions on request.

4. Possible surfaces *

Untreated	01 - Jaune	03 - Chirone	04 - Mirage	06 - Sheena	07 - Alicia	09 - Francesca
11 - Saffina	12 - Irisa	13 - Gabriella	14 - Ariana	15 - Valeria	16 - Bianca	18 - Mirage Light
19 - Aurelia	20 - Morena	21 - Isabella	22 - Silvia	23 - Camilla	24 - Melina	25 - Sofia

* Other surfaces on request.

5. Tolerances according to EN 13226

	Dimensions [mm]
Permitted deviation of thickness	± 0,2 mm
Permitted deviation of length	± 0,5 mm
Permitted deviation of width	± 0,5 mm
Permitted deviation of squareness	± 0,2 %
Cup (across the element)	≤ 0,5 %
Spring (across the element)	≤ 0,5 ‰
Wood moisture at the time of first delivery	7 – 11 %

6. Classification according to EN 13226

Classification	Description
Natur <input type="radio"/>	<i>The variations in the structure of each parquet-stick are a characteristic picture of this grading.</i> Permitted: Healthy knots up to 2 mm Black knots up to 1 mm Slight color variations
Rustikal <input type="checkbox"/>	<i>This sorting is characterized by very different grain, lively and contrasting colors and natural knots.</i> Permitted: Healthy knots up to 25 mm Black knots up to 5 mm Checks Lightning shake Color variations Bark pockets

7. General information

Underfloor heating and/or cooling:

Solid parquet is not suitable for laying on underfloor heating and / or cooling.

Transport:

The floor should be covered when being transported. Pallets and packaging must be secured against slipping during transport.

Storage:

At the time of delivery, our wooden floors are packed in foil. Unpacking prior to installation can cause the wooden floor to swell or dry out, which changes the geometry. For this reason, the removal of the packaging should be done right before the installation.

Application:

Our wooden floors are designed as walking surfaces for indoor use of private and commercial areas.

Installation:

You will find a comprehensive overview of the installation in the installation instructions.

Surface:

The wooden floor surfaces are lacquered and oiled by us and are provided with a special and resistant protective layer, which makes them suitable for private and heavily frequented commercial areas. The floors are also resistant to wine, beer, cola, coffee, tea, fruit juices, milk and water in accordance to EN 12720 (DIN 68861 1A) and are also saliva and sweat resistant according to DIN 53160.

Influence through moisture and care:

Wood is a hygroscopic material and therefore it is natural that it can swell, shrink or warp under the influence of moisture. Significant changes in wood moisture can lead to cracks, bending and flaking of individual planks. To avoid any problems, always use a damp cloth or mop for cleaning (but never wet). Optimal climatic conditions for the wooden floor are 18 - 21 ° C and 45 - 65% humidity. Make sure there is good air circulation and if necessary use a humidifier or air dryer.

A comprehensive overview of cleaning, maintenance and care can be found in the care instructions.

Important:

Our wooden floors are always manufactured with the greatest possible care and attention. Nevertheless, unforeseen situations can arise. For this reason, we recommend a careful check regarding quality and color. After laying, a complaint for defects that could have been objected before laying is no longer possible.