

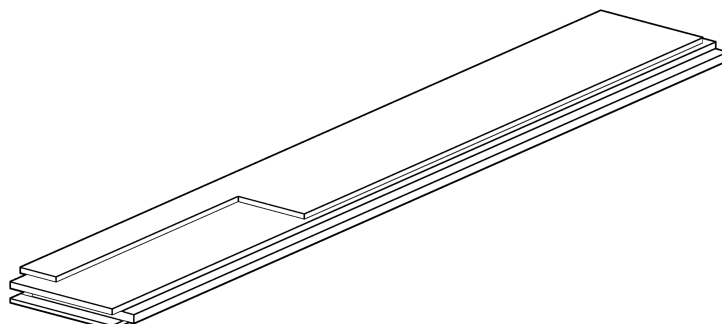
Technical Data

Engineered plank – Oak

Engineered plank with tongue and groove. Top layer made of European Oak, bottom layer of plywood made of European hardwood.

1. Technical construction (unsanded)

	Thickness 14 mm
Total thickness:	14,0 mm
Top layer	4 mm
Upper lip:	6 mm
Tongue and groove:	4,3 mm
Underlip:	3,7 mm



2. Product description

	Description
Wood species: - Top layer: - Bottom layer:	European Oak - Quercus petraea Liebl., Quercus robur L. / QCXE Plywood - made from European hardwood
Profile:	4-sided tongue and groove
Edges:	Sharp-edged / 2-sided beveled / 4-sided beveled
Surface:	Raw / Sanded / UV-Lacquered / U-Oiled
Weight:	14 mm thickness: ca. 10 Kg/m ²
Density:	750 Kg/m ³ = Top layer – Oak 600 - 750 Kg/m ³ = Bottom layer – Plywood
Reaction to fire:	C _{ir} -s1
Emission of formaldehyde:	E1
Content of pentachlorophenol:	< 5 ppm
Moisture:	7% ± 2%
Slipperiness:	UV-Oil = 72 USRV UV-Lacquered = 65 USVR
Thermal conductivity:	0,17 [W/(m*K)] Top layer – Oak 0,16 – 0,18 [W/(m*K)] Bottom layer – Plywood
Biological durability:	Class 2
Installation:	Suitable for full-surface gluing with a suitable adhesive

3. Available dimensions

	Dimensions [mm]
Thickness	14 mm
Classic Planks (length x width)	500 - 1200 x 100 mm 500 - 2000 x 120 mm 900 - 2000 x 150 mm
Herringbone (Right + Left) (length x width)	500 / 600 / 700 x 100 mm 500 / 600 / 700 x 120 mm 500 / 600 / 700 x 150 mm
French Chevron (45°) (length x width)	390 / 490 / 590 / 690 / 790 x 100 mm 360 / 460 / 560 / 660 / 760 x 120 mm 330 / 430 / 530 / 630 / 730 x 150 mm
Hungarian Chevron (60°) (length x width)	430 / 530 / 630 / 730 / 830 x 100 mm 410 / 510 / 610 / 710 / 810 x 120 mm 390 / 490 / 590 / 690 / 790 x 150 mm

* Other dimensions on request.

4. Possible surfaces *

Untreated	01 - Jaune	03 - Chirone	04 - Mirage	06 - Sheena	07 - Alicia	09 - Francesca
11 - Saffina	12 - Irisa	13 - Gabriella	14 - Ariana	15 - Valeria	16 - Bianca	18 - Mirage Light
19 - Aurelia	20 - Morena	21 - Isabella	22 - Silvia	23 - Camilla	24 - Melina	25 - Sofia

* Other surfaces on request.

5. Tolerances according to EN 13489

	Dimensions [mm]
Permitted deviation of thickness	± 0,1 %
Permitted deviation of length	± 0,2 mm
Permitted deviation of width	≤ 0,2 mm
Permitted deviation of squareness	≤ 0,2 %
Cup (across the element)	≤ 0,2 %
Spring (across the element)	≤ 0,1 %
Wood moisture at the time of first delivery	5 – 9 %

6. Classification according to EN 13489

Classification	Description
Nature <input type="checkbox"/>	A very quiet grading with little color and structure differences. Within this grading, healthy knots do occur occasionally, however only up to a specific diameter. This ensures an extremely uniform, balanced and elegant wooden floor. Permitted: Bright and healthy knots up to 10 mm Black knots up to 5 mm Lightning shake Rays
Rustic <input type="checkbox"/>	A lively grading with medium color and structural differences. This grading includes healthy knots, occasionally small block knots and sapwood, which gives the wooden floor a pleasant vitality. Permitted: Healthy knots up to 50 mm Black knots up to 10 mm Lightning shake Rays Cracks Bark pockets Distinctive Characteristic: Sapwood can occur
Country	A very lively grading with strong color and structural differences. Big healthy knots occur in this range, along with block knots, filled cracks and occasionally sapwood which gives the wooden floors in this range a certain warmth. Permitted: Knots up to 100 mm Lightning shake Rays Cracks Bark pockets Distinctive Characteristic: Sapwood can occur

7. General information

Underfloor heating and/or cooling:

Engineered planks are suitable for laying on underfloor heating and / or cooling.

Transport:

The floor should be covered when being transported. Pallets and packaging must be secured against slipping during transport.

Storage:

At the time of delivery, our wooden floors are packed in foil. Unpacking prior to installation can cause the wooden floor to swell or dry out, which changes the geometry. For this reason, the removal of the packaging should be done right before the installation.

Application:

Our wooden floors are designed as walking surfaces for indoor use of private and commercial areas.

Installation:

You will find a comprehensive overview of the installation in the installation instructions.

Surface:

The wooden floor surfaces are lacquered and oiled by us and are provided with a special and resistant protective layer, which makes them suitable for private and heavily frequented commercial areas. The floors are also resistant to wine, beer, cola, coffee, tea, fruit juices, milk and water in accordance to EN 12720 (DIN 68861 1A) and are also saliva and sweat resistant according to DIN 53160.

Influence through moisture and care:

Wood is a hygroscopic material and therefore it is natural that it can swell, shrink or warp under the influence of moisture. Significant changes in wood moisture can lead to cracks, bending and flaking of individual planks. To avoid any problems, always use a damp cloth or mop for cleaning (but never wet). Optimal climatic conditions for the wooden floor are 18 - 21 ° C and 45 - 65% humidity. Make sure there is good air circulation and if necessary use a humidifier or air dryer.

A comprehensive overview of cleaning, maintenance and care can be found in the care instructions.

Important:

Our wooden floors are always manufactured with the greatest possible care and attention. Nevertheless, unforeseen situations can arise. For this reason, we recommend a careful check regarding quality and color. After laying, a complaint for defects that could have been objected before laying is no longer possible.